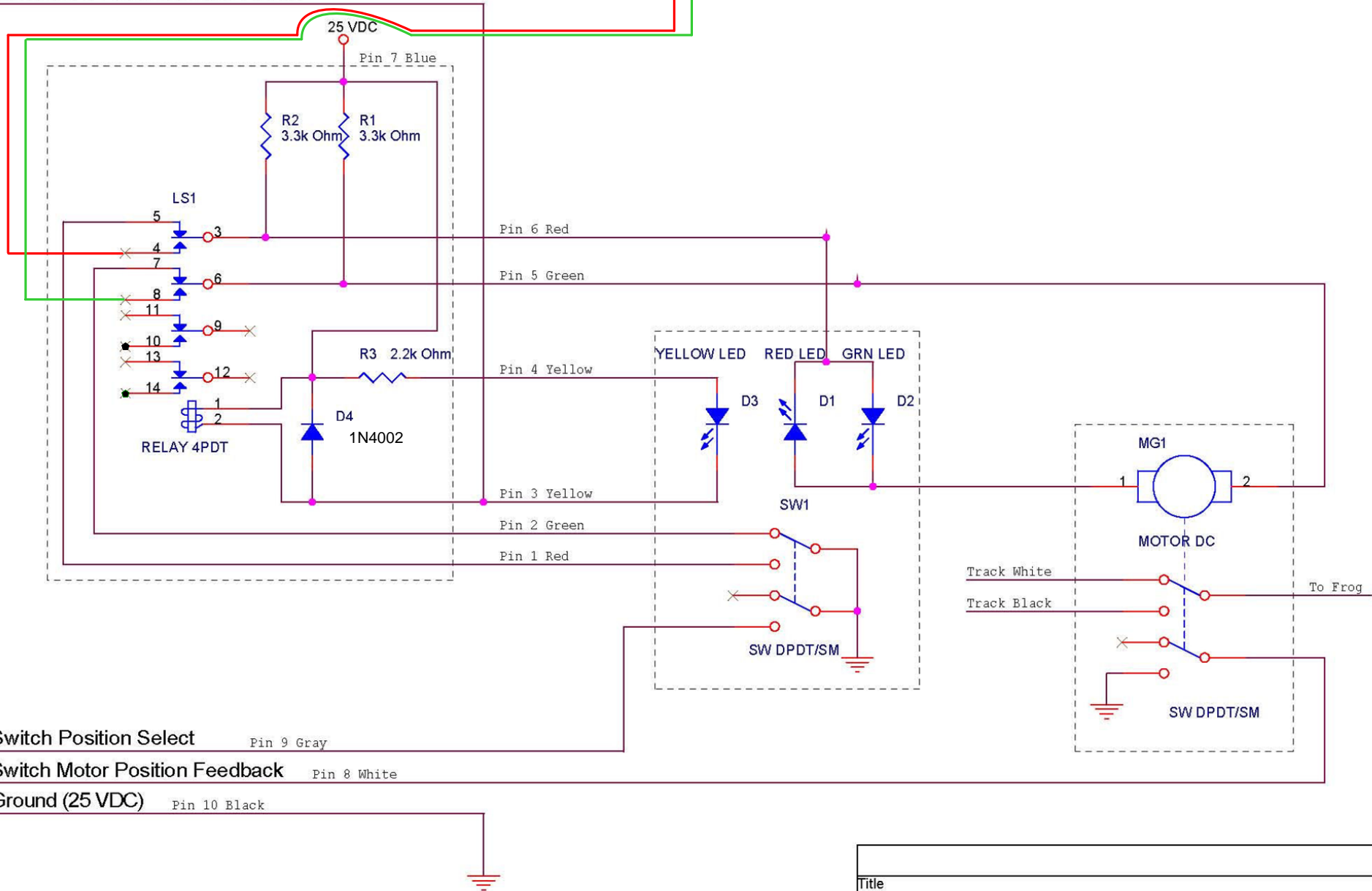


Switch Motor Control Normal
 Switch Motor Control Reverse
 Switch Motor Local/Remote Enable



Switch Position Select Pin 9 Gray
 Switch Motor Position Feedback Pin 8 White
 Ground (25 VDC) Pin 10 Black

Title		
Tortoise machine dual control circuit		
Size	Document Number	Rev
A	<Doc>	1.1
Date:	Friday, February 29, 2008	Sheet 1 of 1